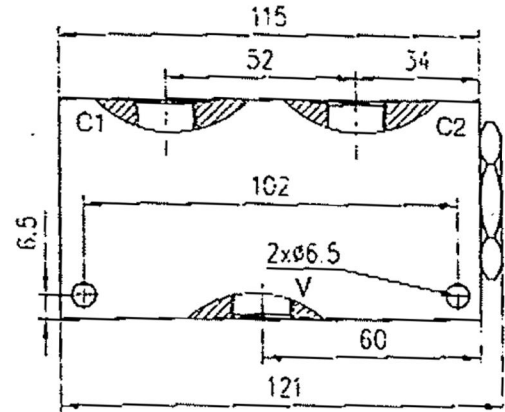
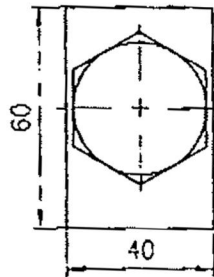
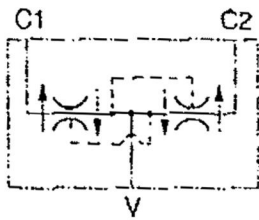




FLOW DIVIDER COMBINER

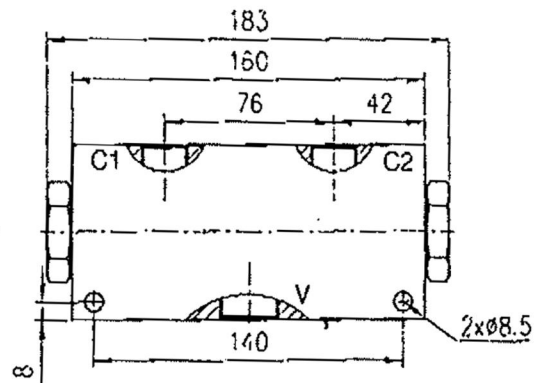
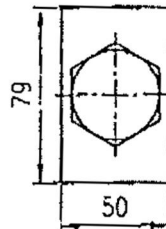
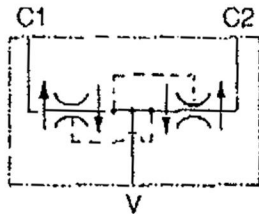
FDC10



Flow at connection "V" - 4 - 40 L/min
 Max. working pressure - 210 bar
 Flow dividing ratio - 1:1
 Max. divergence 5% at pressure diff. 120 bar
 between C1 and C2

TYPE FDC10	L/min	V	C1	C2
FDC10 38-12	4-12	G3/8"	G3/8"	G3/8"
FDC10 38-24	12-24	G3/8"	G3/8"	G3/8"
FDC10 12-40	24-40	G1/2"	G3/8"	G3/8"

FDC20



Flow at connection "V" - 40 - 150 L/min
 Max. working pressure - 210 bar
 Flow dividing ratio - 1:1
 Max. divergence 5% at pressure diff. 120 bar
 between C1 and C2

TYPE FDC20	L/min	V	C1	C2
FDC20 34-90	40 - 90	G3/4"	G1/2"	G1/2"
FDC20 100-150	80 - 150	G1"	G3/4"	G3/4"